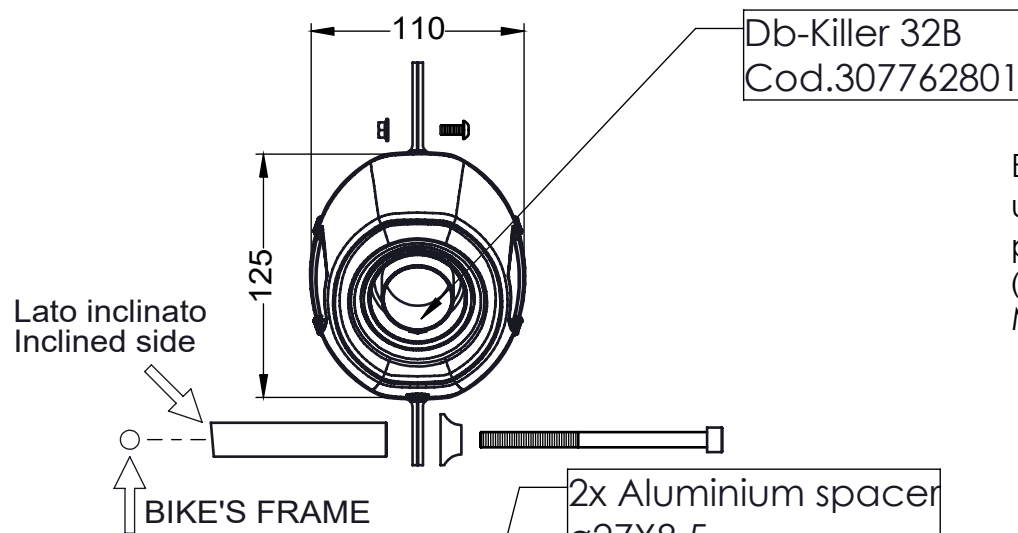


VISTA DA "A"

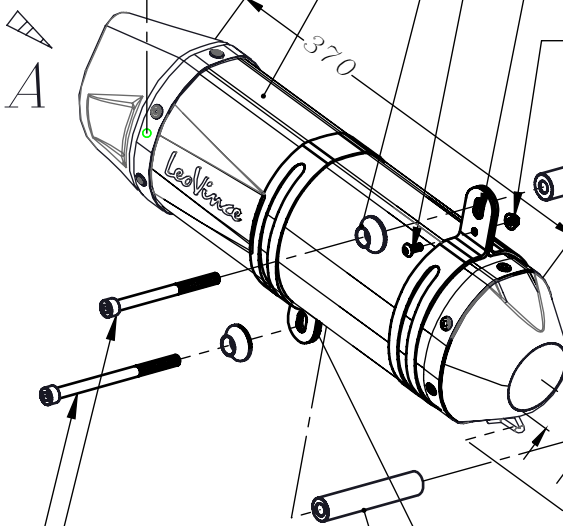


By-packed components to be used only on motorcycles not provided with Lambda Probe:
(GILERA NEXUS 500 '03/'05)
M18x1.5 h.9 cod.204888

LV ONE EVO silencer
Øi 54X370 RHS
Cod.308488481

SGI e13 0235 9

A



2x Aluminium spacer
Ø27X8,5
Cod. 204321

Allen screw M5X12
T.B.E.I.
Cod.201031

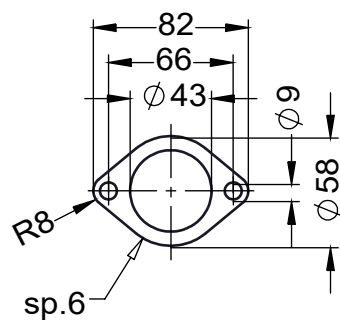
Carbon clamp FB5AS
Cod.308532501

Knurled collar nut M5
Cod.204407

BIKE'S FRAME

Screw M8X25
Cod.200295

VISTA DA "B"



S.s bracket
cod. 307930501

Pipe N°530 s.s
cod. 307930202

Gasket
cod. 202185

Db-Killer N.57
Cod.308078804

Bushing
cod.205359

Short helical
spring tensile
cod. 303949001

B

Gasket Ø49 Ø36.5 h.4.5
cod. 201291

Allen screw M8X100
T.C.Z.B.
Cod.200626

Allen screw M8X120
T.C.Z.B.
Cod.204513

Aluminium spacer
Ø 18X Ø 9 h.93/91.5
Cod. 205914

Carbon clamp FB1S
Cod.306960505

ART. 8488E

GILERA NEXUS 500 / GILERA NEXUS 500 i.e.

FULL SYSTEM - LV ONE EVO - STAINLESS STEEL - APPROVED