

Notice:
the original heat shield
can be fitted back in position.

Strap in S.s. Ø53
Cod.300053530

Strap in stainless
steel Ø 33/Ø 50
Cod.200610

Stainless S. bracket
Cod.206430

Mounting plate M6
Cod.204664

Pipe 2/1
Cod.3080014201

Pipe N°5
Cod.308090206

Pipe N°6
Cod.308090208

T0 Short helical spring
tensile
Cod.303949001

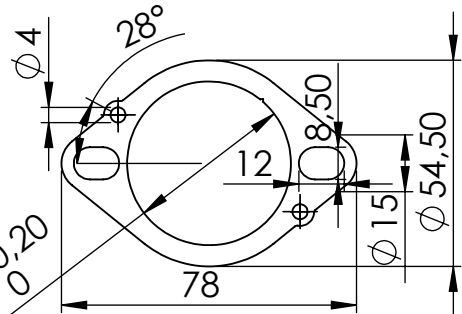
WARNING:
it is advisable to optimize the carburation
by remapping the stock ECU or by adopting
an additional ECU unit

ART. 80014

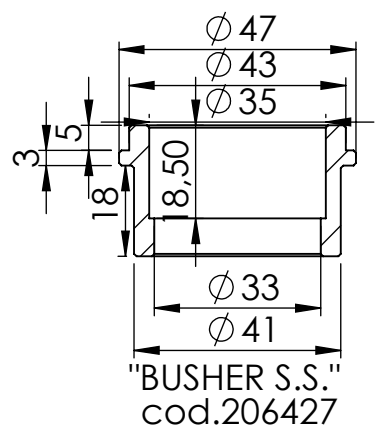
KAWASAKI Z900

(Compatible with the stock exhaust and the LeoVince slip-on Art.15239-15239B-15239T-14332E-14333E.)

HEADERS PIPE 4/2/1 - STAINLESS S.



"FLANGE S.S. SP.5 mm"
cod.206428



"BUSHER S.S."
cod.206427

Allen screw M8X55
T.C.Z.B.
Cod.200331

Plain washer 8x24
Cod.200321

Knurled collar nut
M8 Cod.200298

"OPTIONAL"
Cod.5681

M18X1,5

4 Aisi 304 Stainless-Steel
cylinder bushing
Cod.206427

4 stainless steel
flange Cod.206428

Ø i.45
Ø e.45

Ø e.35

Ø i.40

Ø e.38

Pipe N°4
Cod.308090204

Pipe N°1
Cod.308090201

Pipe N°2
Cod.308090202

Pipe N°3
Cod.308090203