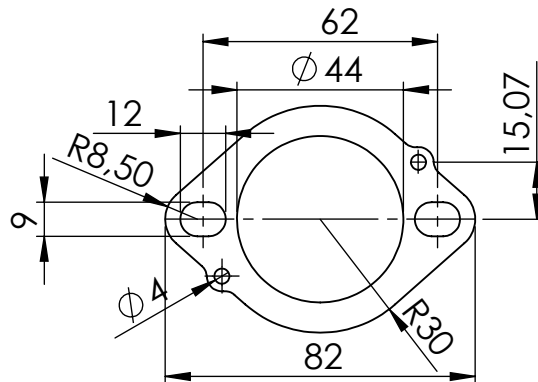


Bushing
cod. 204833



Flange sp. 5mm
cod.204569

4X Short helical spring
tensile
Cod.303949001

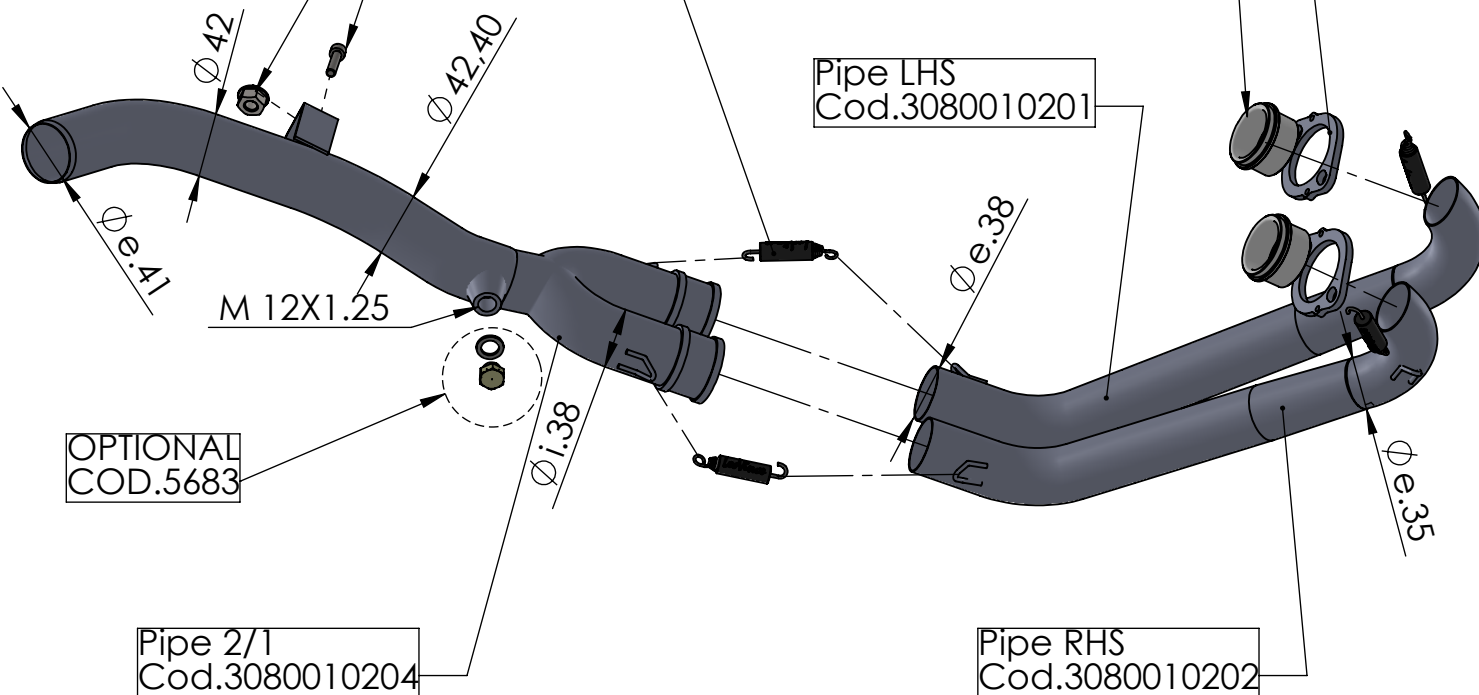
Aisi 304 stainless steel flange
cod. 204569

ORIGINAL SCREW

Aisi 304 Stainless-Steel
removable cylinder bushing
cod. 204833

Knurled collar nut
M8 Cod.200298

Pipe LHS
Cod.3080010201



OPTIONAL
COD.5683

Pipe 2/1
Cod.3080010204

Pipe RHS
Cod.3080010202

WARNING

it is advisable to optimize the carburation by remapping the stock ECU or by adopting an additional ECU unit.

ART. 80010

YAMAHA TÉNÉRÉ 700

(COMPATIBLE WITH STOCK SILENCER OR LEOVINCE SLIP-ON 14330E-14330EB)
(fits with original panniers, skid plate, engine guard and centre stand)

HEADER PIPE 2/1 - STAINLESS STEEL