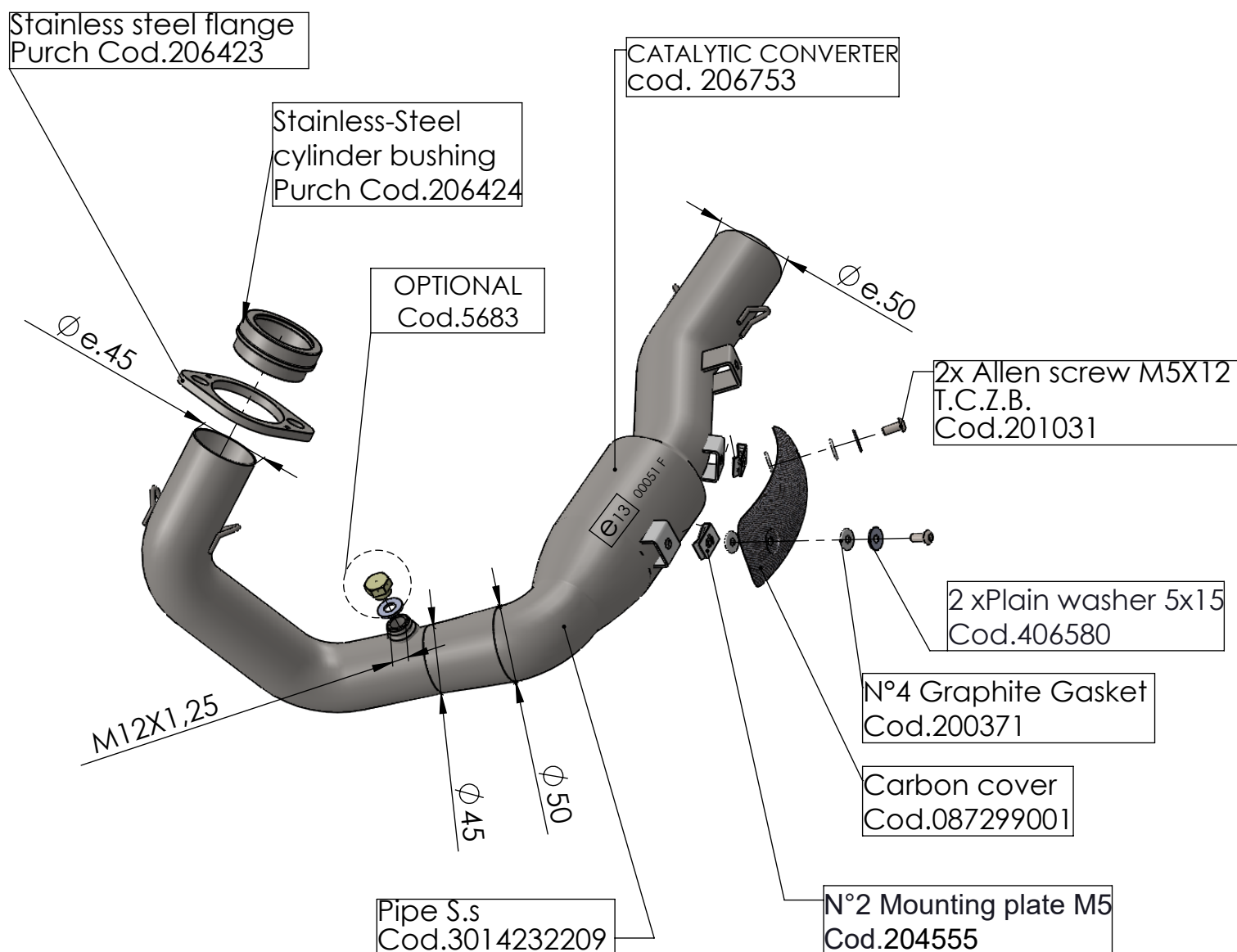
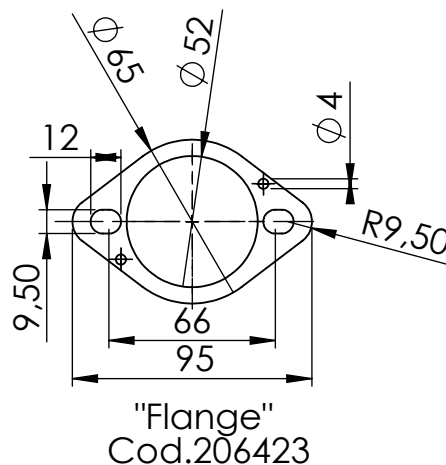
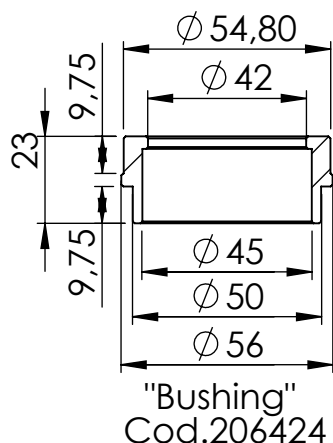


# EU-APPROVED CATALYTIC CONVERTER MANIFOLD



**ART. 16017**

SUITABLE FOR LEOVINCE ART. 14232E - 14232EK

HUSQVARNA 701 ENDURO / SUPERMOTO