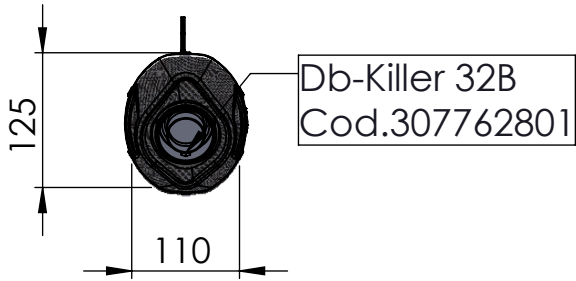


**NB: ONLY FOR T-MAX 530**



**VIEW B**

Knurled collar nut  
M10x1.25 Cod.203039

ORIGINAL FRAME  
**NB: remove original nut**

Screw M8X16  
T.E.Z.B.  
Cod.206008

Bracket S.s  
cod. 0814342501

3 Knurled collar nut  
M8 Cod.200298

LV ONE EVO silencer  
Øi 75X370 RHS  
Cod.3014343481

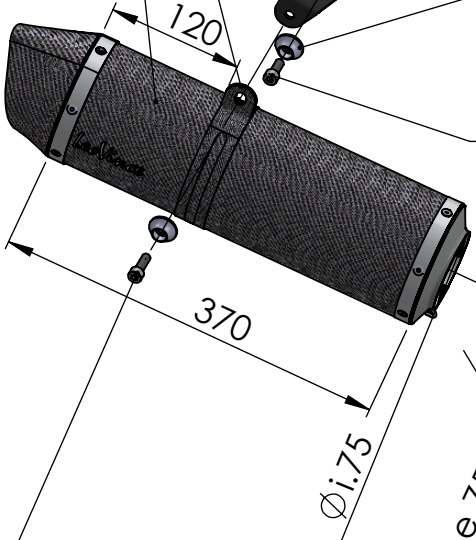
Carbon clamp FB1S  
Cod.306960505

2X Plain washer  $\phi$  8x  $\phi$  24  
Cod.200321

Bracket black S.s  
Prod. cod. 3014342501  
Purch. cod. 206661

2x Aluminium spacer  
 $\phi$ 27X8,5  
Cod. 204321

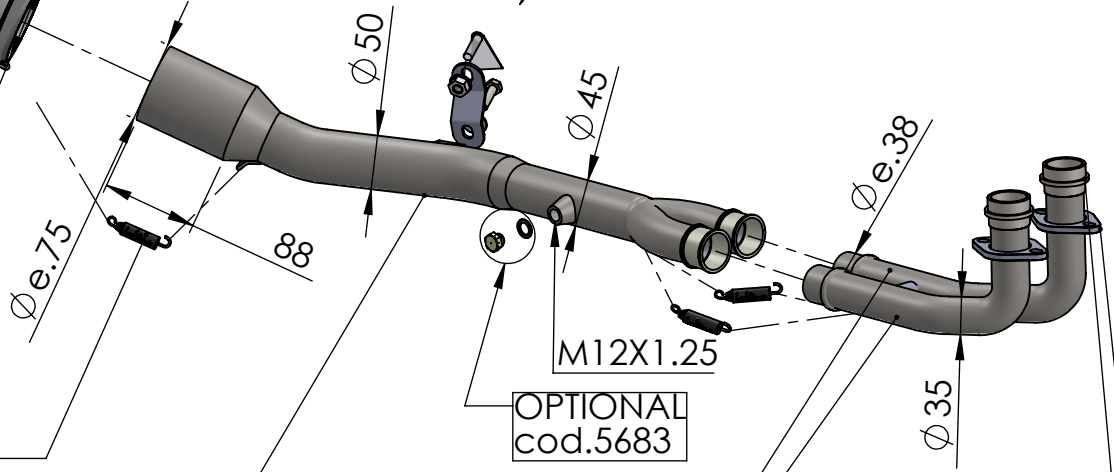
Allen screw M8X20  
T.C.Z.B.Cod.200722



**B**

Allen screw M8X25  
T.C.E.I.Z.B.  
Cod.200314

3x Short helical  
spring tensile  
cod. 303949001



OPTIONAL  
cod.5683

Pipe N°1334 s.s  
cod. 3014342201

2x welded Bushing s.s.  
cod.206062

2x Flange 25B s.s. sp.6mm  
cod.200560

Pipe N°1331 s.s  
cod. 3015305201

**WARNING**

it is advisable to optimize the carburation by remapping the stock ECU or by adopting an additional ECU unit.

**ART. 14343E**

YAMAHA T-MAX 530 ABS/DX/SX

FULL SYSTEM - LV ONE EVO - CARBON