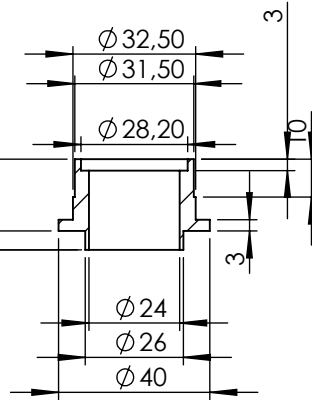
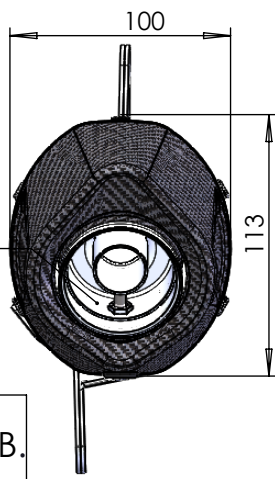
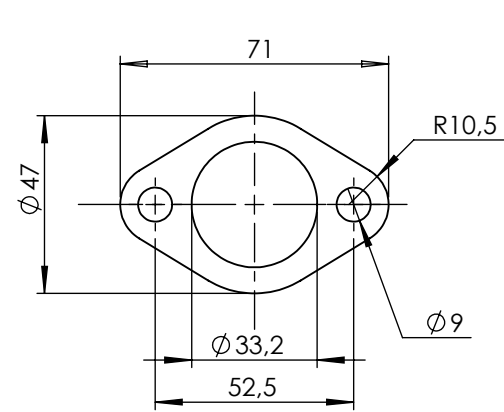


DB-Killer N°63
Cod.3014225801R



Bushing
Cod. 204640



Flange 43E Sp.5mm
Cod. 206308

Allen screw
M8X60 T.C.E.I.Z.B.
Cod.200949

Aluminium spacer
27x8.5
Cod.204321

E13 92R - 01 10443

Medium silencer
LV ONE EVO Øi 45X300
Cod.3014326481

Aluminium spacer
25/18x40x8.5
Cod.202499

Knurled collar nut M8
Cod.200298

S.s Bracket
Purch. Cod.206577
Prod.Cod.0814326501

Allen screw
M8X50 Z.B.
Cod.200304

CATALYTIC
CONVERTER
Cod. 206729B

welded S.s bushing
cod.204640

Gasket 33X26,15X4
Cod.201525

Flange 43E
Cod.206308

Allen screw
M10X40x1.25
T.C.E.I.Z.B.
Cod.204109

Aluminium spacer
30x13x16.5
Cod.206307

2x Aluminium spacer
(to cover hole in
original frame)
d.25xh12.5x10.5
Cod.206272

2x Allen screw
(to cover hole in
original frame)
M10X1.25x30 Z.B.
Cod.406393

Short helical spring
tensile
Cod.303949001

Pipe N° 1278 S.s
Cod.3014326203

WARNING

it is advisable to optimize the carburation by remapping the stock ECU or by adopting an additional ECU unit.

ART.14326EK

HONDA SH 125i

FULL SYSTEM 1/1 - LV ONE EVO - STAINLESS STEEL - APPROVED