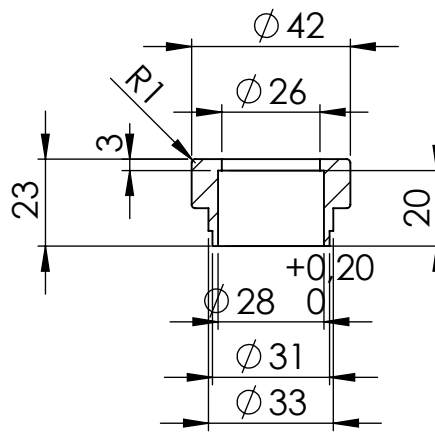
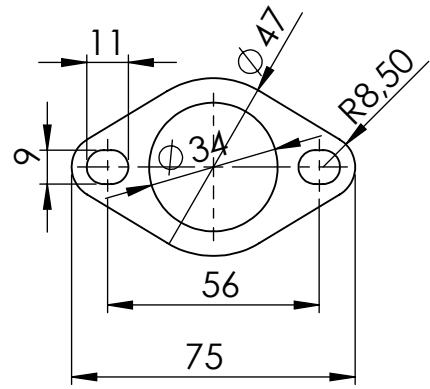


Db-killer N°63
Cod.3014225801



Bushing
cod.206566



Flange
cod.206567

E13 92R - 01 10443

2X Aluminium spacer
ø20X36X10.5
Cod. 206282

LV ONE EVO S.s.
Øi 45X300 RHS
Cod.3014323481

Welde Db-killer N°64
Cod.3014323801

CATALYTIC CONVERTER

Pipe N°1276
Cod.3014323203

Welded bushing
cod.206566

2X Mounting plate M5
Cod.204555

Aisi 304 S.s flange
cod.206567

Carbon cover
Cod.086974002

N°4 Graphite Gasket
Cod.200371

2 xPlain washer 5x15
Cod.406580

2x Aluminium spacer
ø30X13X16.5 M10
Cod. 206307

2x Allen screw
M10X1.25X90
T.C.Z.B.
Cod.204953

Short helical
spring tensile
Cod.303949001

2X Allen screw M5X12
T.C.Z.B.
Cod.201031

WARNING

it is advisable to optimize the carburation by remapping the stock ECU or by adopting an additional ECU unit.

ART. 14323EK

YAMAHA 125 X-MAX / IRON MAX

FULL SYSTEM - LV ONE EVO - STAINLESS S. - APPROVED