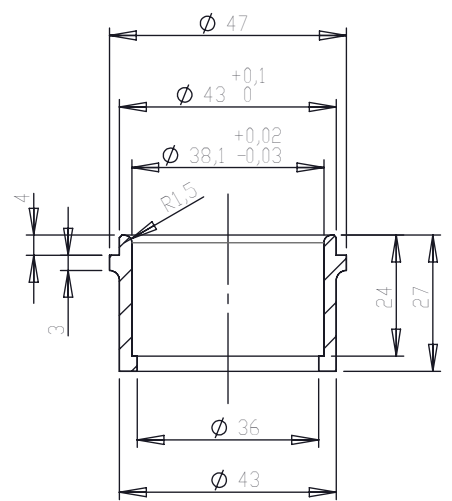
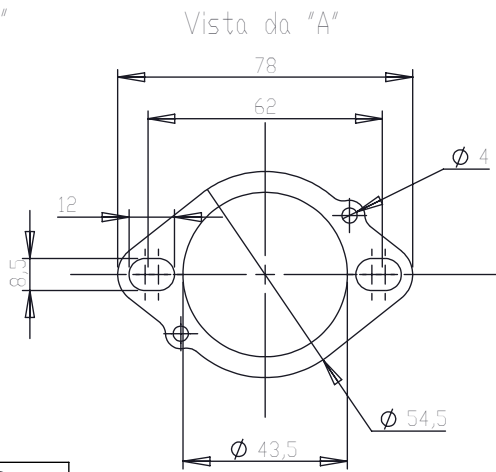


Db-Killer 32B  
Cod.307762801



LV ONE EVO silencer  
Øi 54X270 RHS  
Cod.308406481

Carbon clamp FM1  
Cod.306958501

Allen screw M8X35  
Cod.201002

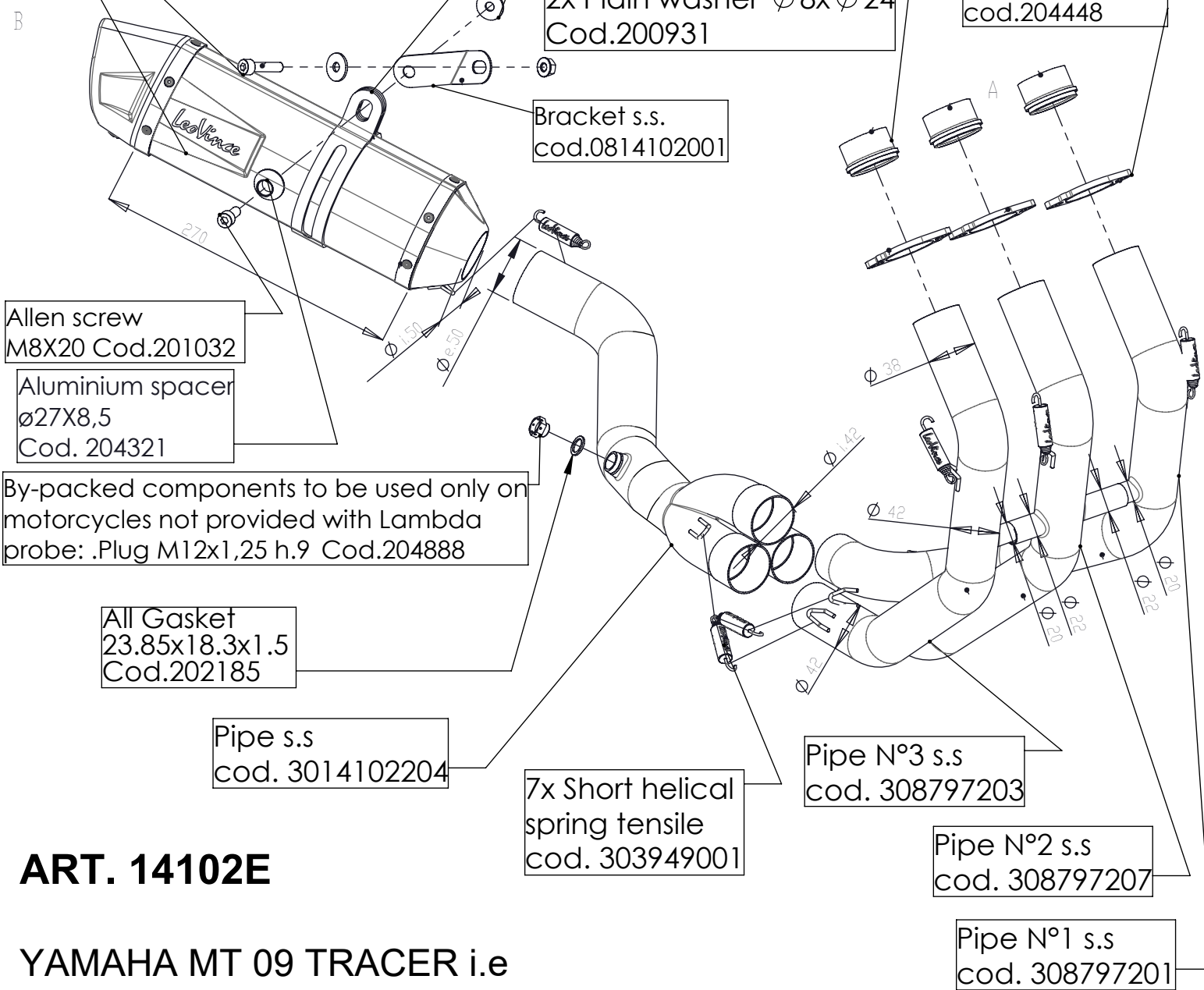
2x Knurled collar nut  
M8 Cod.200990

3x Aisi 304 Stainless-Steel  
welded cylinder bushing  
cod.204870

2x Plain washer  $\phi 8 \times \phi 24$   
Cod.200931

3x Aisi 304 flange  
cod.204448

Bracket s.s.  
cod.0814102001



Allen screw  
M8X20 Cod.201032

Aluminium spacer  
 $\phi 27 \times 8,5$   
Cod. 204321

By-packed components to be used only on  
motorcycles not provided with Lambda  
probe: .Plug M12x1,25 h.9 Cod.204888

All Gasket  
23.85x18.3x1.5  
Cod.202185

Pipe s.s  
cod. 3014102204

7x Short helical  
spring tensile  
cod. 303949001

Pipe N°3 s.s  
cod. 308797203

Pipe N°2 s.s  
cod. 308797207

Pipe N°1 s.s  
cod. 308797201

# ART. 14102E

YAMAHA MT 09 TRACER i.e

FULL SYSTEM - LV ONE EVO - STAINLESS STEEL - APPROVED