

I - ATTENZIONE: le valigie laterali BMW possono essere installate dopo il montaggio di questo silenziatore (con distanziale h=10mm e vite M8x40).

GB - WARNING: the BMW side cases can be installed after this silencer has been mounted (with spacer h=10mm and screw M8x40).

F - ATTENTION: les sacoches latérales BMW peuvent être installées après le montage de ce silencieux (avec entretoise h=10mm et vis M8x40).

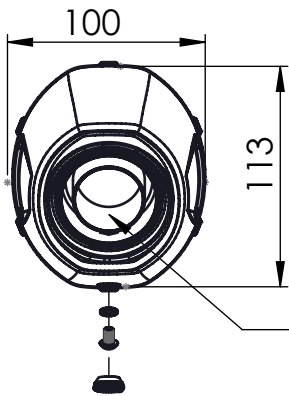
D - ACHTUNG: BMW-Koffer können nach der Montage des Schalldämpfers angebracht werden (mit Abstandhalter h=10mm und Innensechskantschraube M8x40).

E - ATENCIÓN: las valijas laterales BMW pueden ser instaladas después del montaje de este silenciador (con el separador h=10mm y tornillo M8x40).

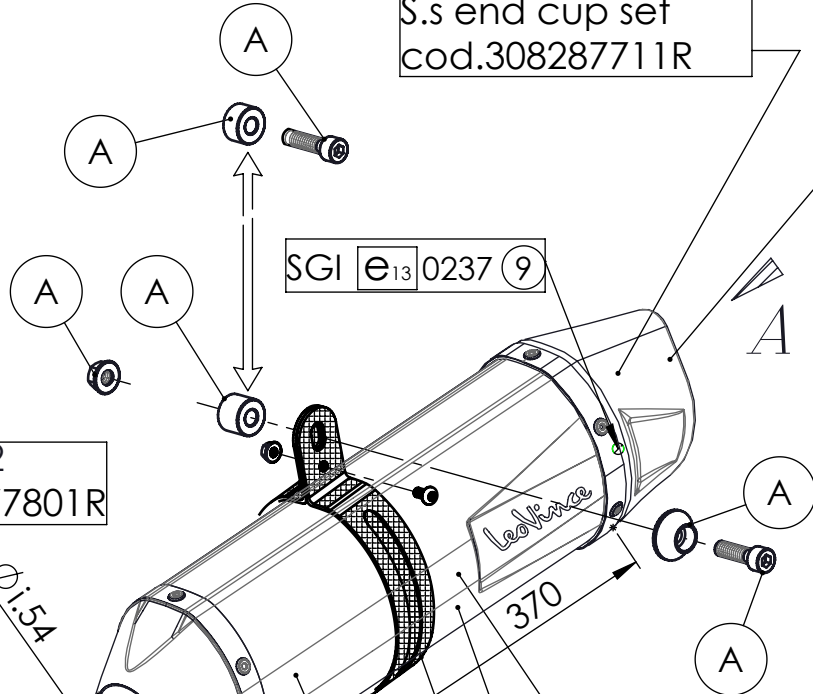
Carbon end cup set
cod.3014008701R

S.s end cup set
cod.308287711R

VISTA DA "A"



Db-Killer 32
Cod.307677801R



Manifold kit
cod. 308238202R

Muffler repack kit
cod.414205R

Outer sleeve
replacement kit
cod.083980018R

Muffler clamp kit
cod.307659501R

Muffler kit
Cod.308287482R

Belts and rivets kit
Cod.088288002R

Spring and rubber
replacement kit
Cod.304982002R

Spring and rubber
replacement kit
Cod.303949001R

ART. 8289E - SPARE PARTS

BMW F 800 R i.e. / BMW F 800 GT i.e.

Ⓐ FITTING KIT cod.308238601R