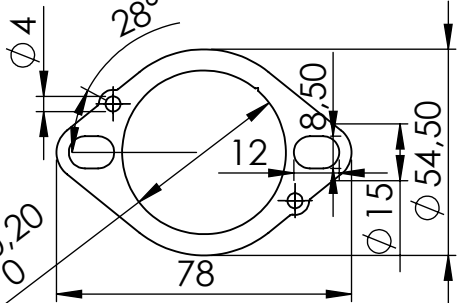
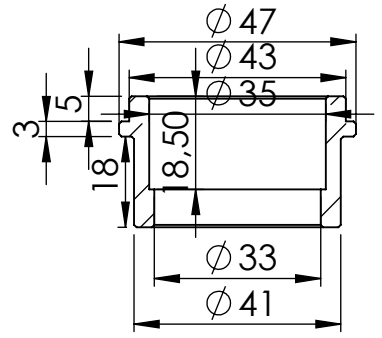


Notice:
the original heat shield
can be fitted back in position.

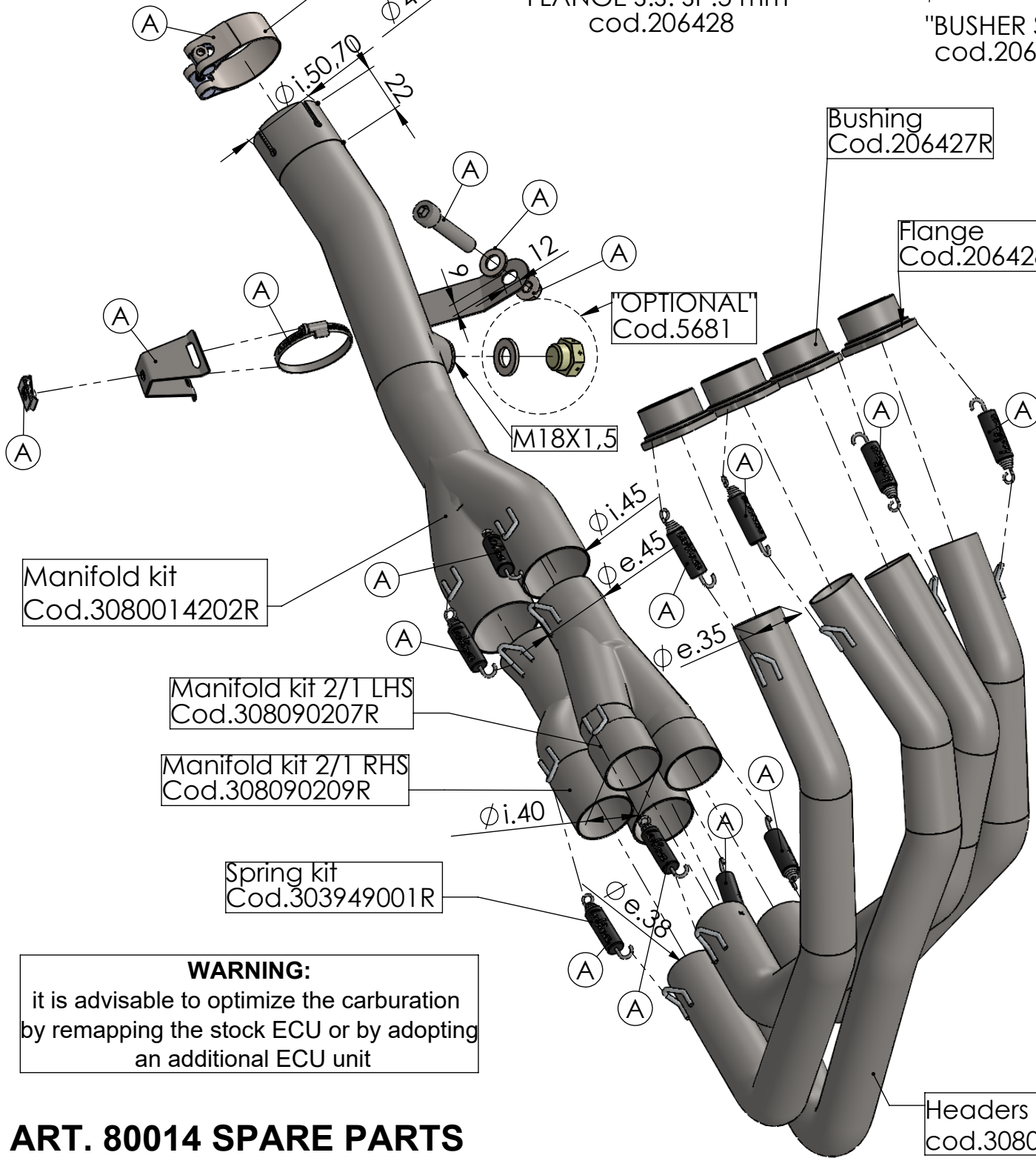
Manifold clamp 53 mm
cod.300053530R



"FLANGE S.S. SP.5 mm"
cod.206428



"BUSHER S.S."
cod.206427



Bushing
Cod.206427R

Flange
Cod.206428R

"OPTIONAL"
Cod.5681

M18X1,5

Manifold kit
Cod.3080014202R

Manifold kit 2/T LHS
Cod.308090207R

Manifold kit 2/T RHS
Cod.308090209R

Spring kit
Cod.303949001R

Headers pipes kit
cod.308090205R

WARNING:
it is advisable to optimize the carburation
by remapping the stock ECU or by adopting
an additional ECU unit

ART. 80014 SPARE PARTS

KAWASAKI Z900

(Compatible with the stock exhaust and the LeoVince slip-on Art.15239-15239B-15239T-14332E-14333E.)

(A) FITTING KIT cod.3080014601